

Features

- ▶ Fundamental mode up to 315MHz
- ▶ Plasma etched inverted mesa process
- ▶ Wide pulling range (fundamental mode)
- ▶ Small & medium volumes also available
- ▶ Custom frequencies available on short lead times

Specifications

Parameters	Product	Option Codes
	GSX-328	
Frequency range: 16.0 ~ 315MHz	■	
Calibration tolerance: ±10ppm ±20ppm ±30ppm Other values	□ □ ■ □	1 2 3 specify
Temperature stability: ±10ppm ±20ppm ±30ppm ±50ppm Other values	□ □ ■ □ □	1 2 3 5 specify
Operating temperature range: -20 to +70°C -40 to +85°C Other values	■ □ □	2 4 specify
Storage temperature range: -40 to +90°C	■	
Circuit condition: 8pF 9pF 12pF 16pF 20pF Series resonant Other values	■ □ □ □ □ □ □	M N B D F S specify
Oscillation mode: Fundamental (16.0 ~ 315MHz)	■	F
Static capacitance (C₀): 7pF max	■	
Equivalent series resistance (max): 100Ω (16.0 ~ 19.9MHz) 90Ω (16.0 ~ 29.9MHz) 60Ω (30.0 ~ 315MHz, fund)	■ ■ ■	
Ageing: ±3ppm max first year	■	
Test drive level: 10μW typ, 100μW max	■	
Soldering condition: 260°C, 10sec x2 max	■	

■ Standard. □ Optional - Please specify required code(s) when ordering

Ordering Information

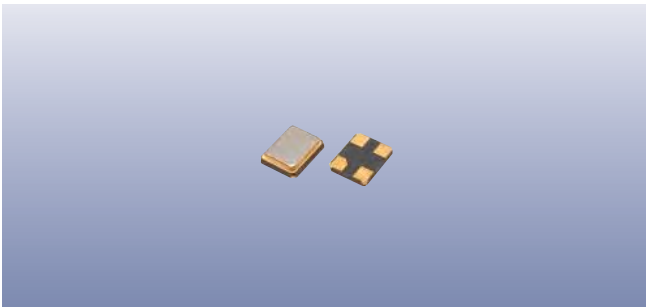
Product name + option codes + frequency

eg: **GSX-328/234DF 12.80MHz** 20/30/40/16-F

GSX-328/352BF 100MHz 30/50/20/12-F

Option code X (eg GSX-328/X) denotes a custom specification.

♦ ±10ppm calibration and/or temperature stability may not be available above 70.0MHz. Please check before ordering.



Construction

- ▮ Ceramic body with gold-plated pads
- ▮ Metal lid, seam sealed

Composition



This product is lead-free, and is fully compliant with the RoHS 2 directive 2011/65/EC



Packaging & Handling

Production quantities supplied on T&R, 3k pcs per reel.
Small quantities may be supplied on tape (no reel), or in bulk.

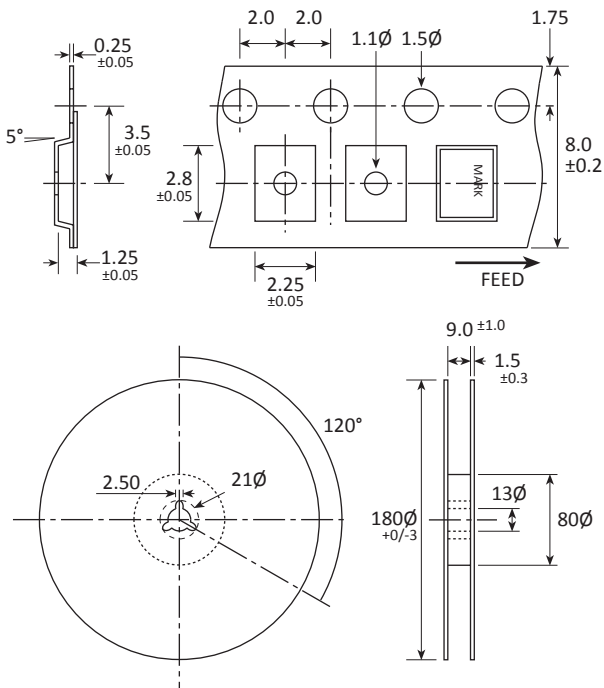
Marking

FREQUENCY
DC

Marking type: Laser
DC = Date code in YM, eg "EB" = Feb 2015

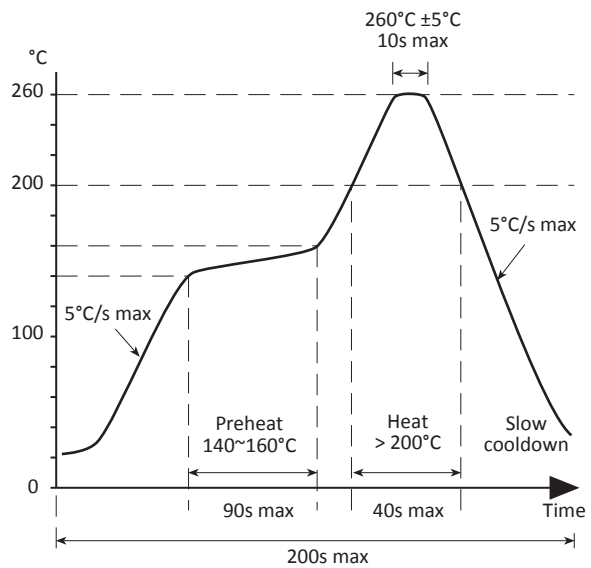
	A	B	C	D	E	F	G	H	J	K	L	M
Y	1	2	3	4	5	6	7	8	9	0		
M	Jan	Feb	Mar	Apr	May	Jun	Jul	Aug	Sep	Oct	Nov	Dec

Tape & Reel Specification



Not to scale. Dimensional tolerances ±0.1mm unless otherwise stated.

Soldering Profile



Maximum solder resistance: 260°C x 10 secs x 2.